



# Appliance: Sinks

Sealing, Insulating & Quieting the World

## 65+ Years of Experience & 22 Locations Worldwide

Alabama ▪ Arkansas ▪ Florida ▪ Georgia ▪ Iowa ▪ Indiana ▪ Kansas ▪ Kentucky  
Tennessee ▪ Texas ▪ Nanjing ▪ Nuevo Laredo ▪ San Luis Potosi ▪ Monterrey

### Superior Insulation

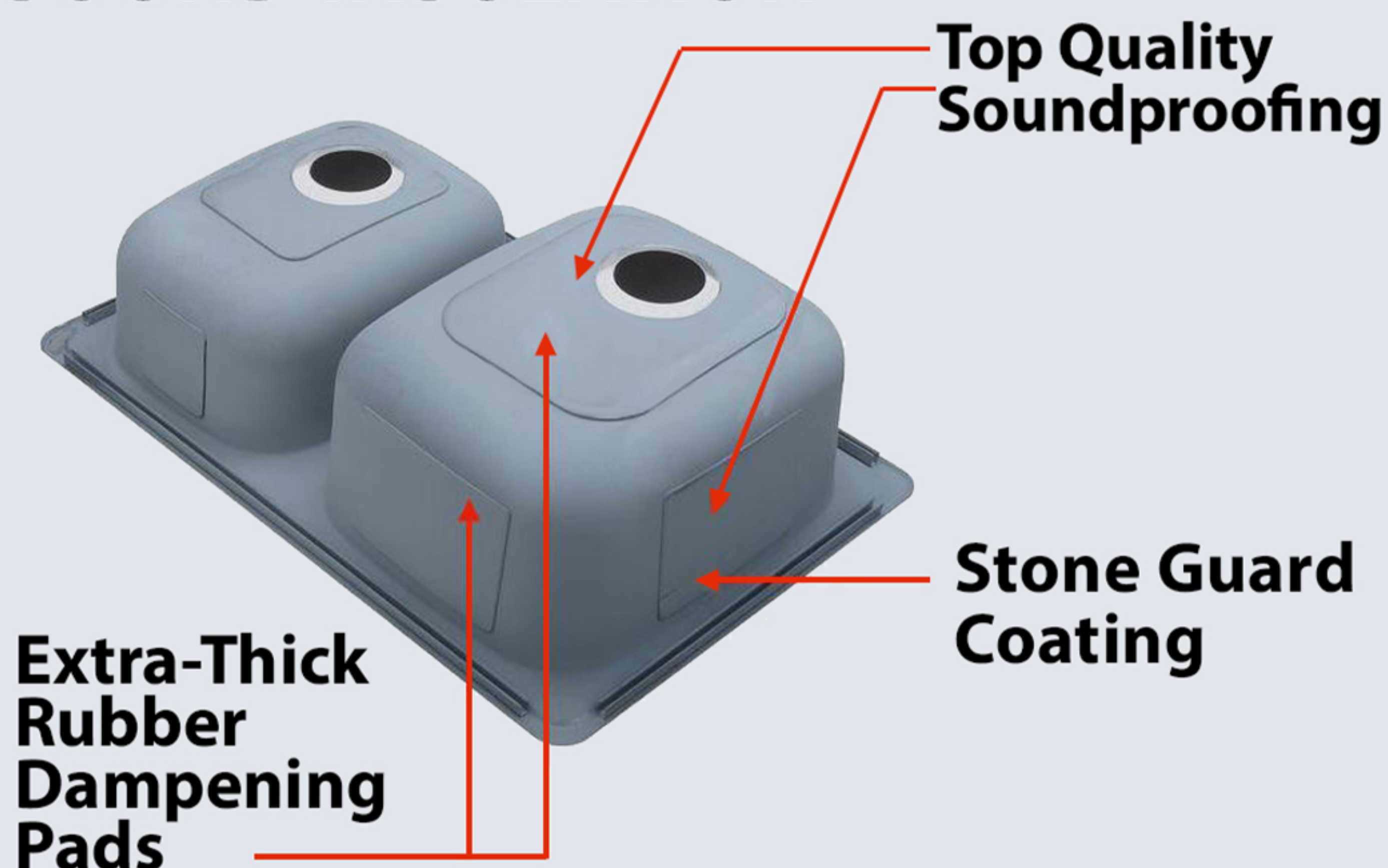
Simplify and save money on sink insulation. Why continue fighting sticky, messy, smelly insulation products that compromise the appearance and performance of sinks? Traditional, brushed, or sprayed on insulation creates a nightmare for the initial application, material handling, product installation, and ongoing maintenance.

Instead, choose the sink insulation that works best for the product. Custom, die-cut insulation with pressure-sensitive and/or thermo-bonded adhesive tightly conforms to sinks, providing a clean and professional appearance with enhanced performance characteristics.



### Largest Supplier of Appliance Insulation

#### SOUND INSULATION



PSC Industries is North America's largest, custom supplier of insulation materials for home products and appliances. PSC's products are used by every major home appliance manufacturer for the abatement of sound, moisture, thermal, odor, and vibration transmission. PSC's capabilities include rapid prototyping, skiving, laminating, custom die cutting, sewing, molding, laser & water jet cutting, slitting, engineering, rotary die cutting, kiss cutting, warehousing, JIT shipping, and more!

Dave Thomas  
Appliance Market Leader

3001 W. Kentucky St.  
Louisville, KY 40211

502-693-7566  
davet@pscindustries.com

**PSC Industries, Inc.**



# Appliance: Sinks

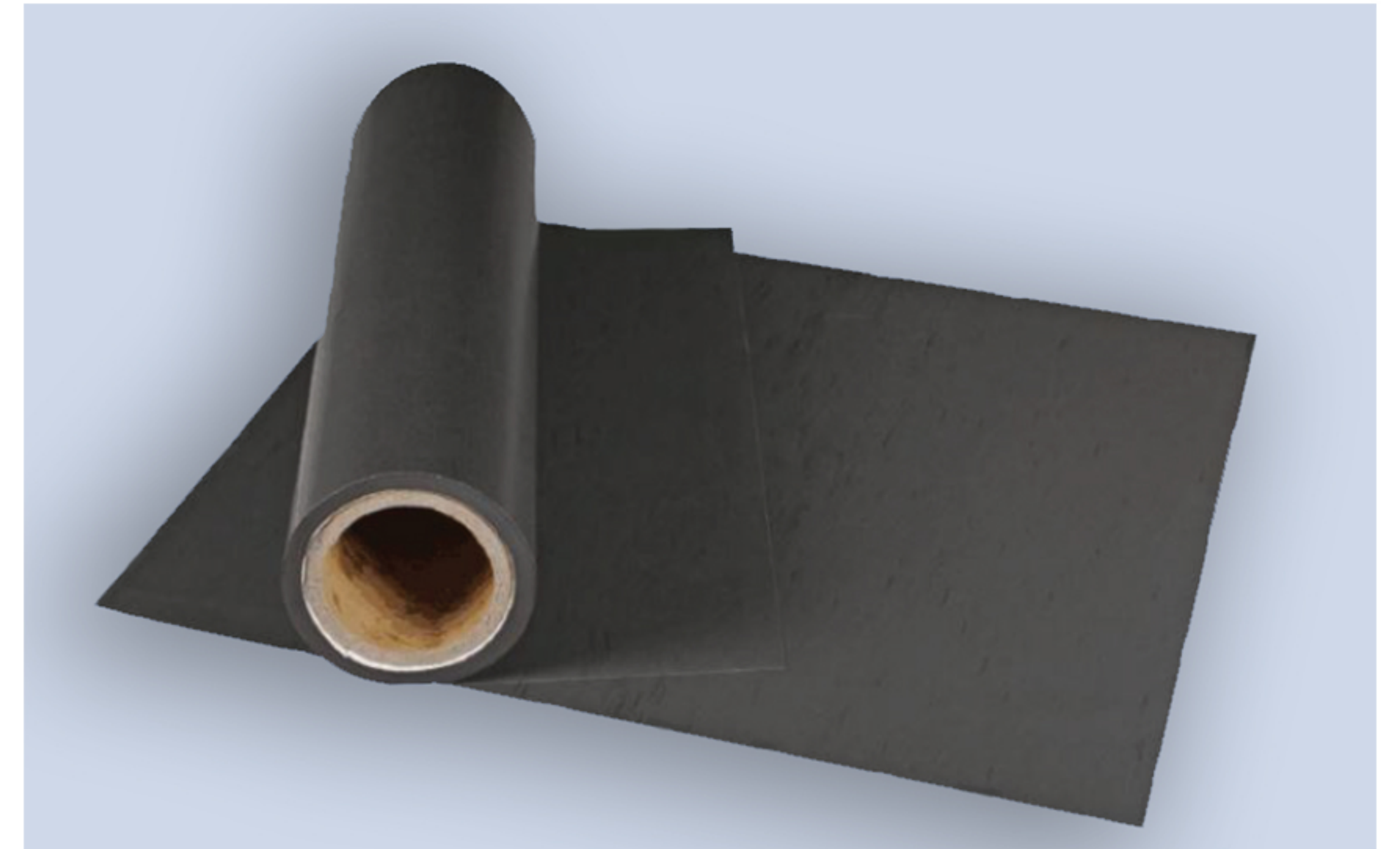
Sealing, Insulating & Quieting the World

## Organic/Synthetic EVA

EVA's acoustical barriers are a blend of ethylene-based copolymers and other materials designed to create a low-cost, noise reduction solution. This material, often paired with an acoustical absorber, is used in multiple industries, for both commercial and residential applications, where sound abatement is needed. This product is recyclable and thermoformable.

### Specifications:

- Weight/Area: 0.2lbs/ft<sup>2</sup> - 2.0Lbs/ft<sup>2</sup>
- Specific Gravity: 1.2g/m<sup>3</sup> - 2.8g/m<sup>3</sup>
- VOC Emissions: Passes all manufacturers requirements



## Bitumen

Bitumen is a high-quality, asphalt blend that is reinforced with a fiberglass mat. It features a thermobondable adhesive or a self-adhering surface with an easy to peel backing which allows for a simple installation without thermal bonding.

### Specifications:

- Breaking Strength: 55 lbf/in (9.6 kN/m) MD
- Mass of Desaturated Glass Felt: 1.84 lb/100 ft<sup>2</sup> (0.09 kg/m<sup>2</sup>)
- Thickness: 70 mil (1.78 mm)



## Foil Backed Butyl Rubber

This material is a butyl based tacky mastic. It is used to seal surfaces against moisture, dust, and air. This product may be laminated with a variety of materials and works to lessen sound and vibration. It is available with a layer of foam rubber to help improve its sound and thermal insulation properties.

### Specifications:

- Density: 1.5 Per ASTM D 70
- Temperature Range: 400°F for 2 hours, no deterioration, sag, or slump from horizontal panel per ASTM 766  
-40°F for 30 days, no deterioration or adhesion loss per ASTM C765

